



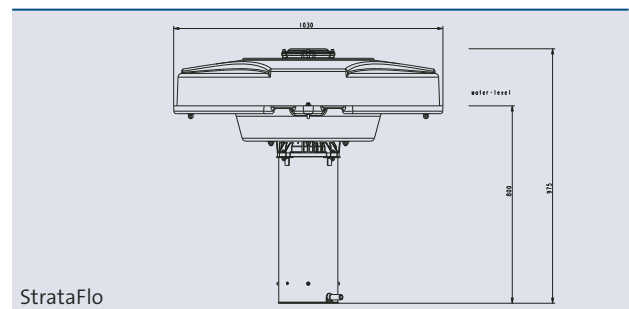
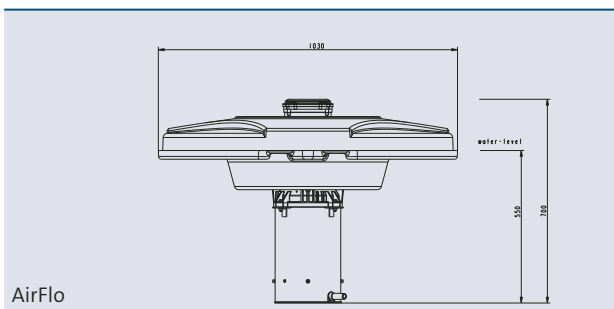
	Fresh Water	Pool Water	Sea Water	220-240 V	400 V	110-120 V	50 Hz	60 Hz	Plug and Spray
AirFlo 1.5 kW	✓	✓	✓	✓	✓	✓	✓	✓	✓
AirFlo 4.0 kW	✓	✓	✓	✓	✓	✓	✓	✓	✓
StrataFlo 2 HP	✓	✓	✓	✓	✓	✓	✓	✓	✓
StrataFlo 5 HP	✓	✓	✓	✓	✓	✓	✓	✓	✓

AIRFLO 1.5 kW/4.0 kW, STRATAFLO 2 2HP/5HP (3-PHASE)

Air Flo sets new standards in the field of lake aeration and decoration: The axial propeller technology ensures impressive and unequalled water flow rates of up to 295,000 l/h – for an optimal supply of oxygen to the lake.

Product characteristics at a glance

- Floating aerator for oxygen supply through powerful water patterns for water surfaces up to 15,000 m²
- Axial propeller technology for water flow rates up to 295,000 l/h
- Maximum oxygen supply for the body of water





Bayonet technology
for easy mounting.



Fastening material
Easy and secure anchoring of the aerator thanks to the fastening material included in the scope of delivery. (3 x 30 meter, 3 mm thick)



Earthing pin plug + control box
The 230V version is delivered ready to operate with control box.

CEE-connector + protection switch
The 400 version comes with a ready to connect, 5 pole CEE connector and motor protection switch.

- Easy installation and maintenance through bayonet technology
- Foamed float for extraordinary stability and noise reduction
- Pump basket of corrosion resistant stainless steel
- Included in the scope of delivery: Fastening set, as well as 3 »Trumpet« type nozzle attachments
- Lighting sets with stainless steel holder available as an accessory



Illumination Set MIDI / MAXI / AirFlo LED/01

Illumination Set MIDI / MAXI / AirFlo LED/01

For an impressive floating fountain even at night – as easy as our proven AirFlo system, we offer you a LED version of our illumination kit with three spotlights each.

A unique connection system makes it very easy to install the spotlights on the float. The UST 150 transformer is mounted easily to the pump basket directly.

Set of 3 LED	
3 x LunAqua 10 LED, each with	a 10 W LED bulb
3 x Light mounting brackets	
3 x Special stainless steel holder	for fastening the transformer
1 x Safety transformer 150 VA,	230 V-12 V, 50 Hz
incl. 50.0 + 2.0 m cable	
Order no.	50479

Powerdata of the different water patterns	AirFlo 1.5 kW / 230V	AirFlo 4.0 kW / 400V		StrataFlo 2 HP	StrataFlo 5 HP (3-Phase)
Water pattern Fountain H x W* [m]	0.8 x 3.5	1.5 x 6.0 [ft]		3 x 12	5 x 20
Flow rate [l/h]	165000	295000 [gpm]		700	1250
Lake size					
Minimum lake size [m ²]	100	500 [sq.ft]		108	538
Opt. effect for lakes up to [m ²]	5000	15000 [sq.ft]		53800	16200
Suction depth max. [m]	4.0	5.0 [ft]		13.1	16.4

	AirFlo 1.5 kW / 230V	AirFlo 4.0 kW / 400V		StrataFlo 2 HP	StrataFlo 5 HP (3-Phase)
Dimensions (ø x H) [mm]	700 x 1150	950 x 1150 [inch]		46 x 28	46 x 38
Nominal voltage [V/Hz]	230/50	400/50 [V/Hz]		230/60	200-230/60
Pump power [KW]	1.5	4.0 [W/A]		2749/13.2	3738/19.8
Nominal current [A]	10.2	9.6 [W/A]		2749/13.2	3738/19.8
Minimum water depth [m]	0.90	1.15 [ft]		3	4
Cable length [m]	50.0 + 2.0	50.0 + 2.0 [ft]		160	160
Weight [kg]	ca. 40.0	ca. 60.0 [lbs]		88	132
Order no.	50183	50185		50272	50274